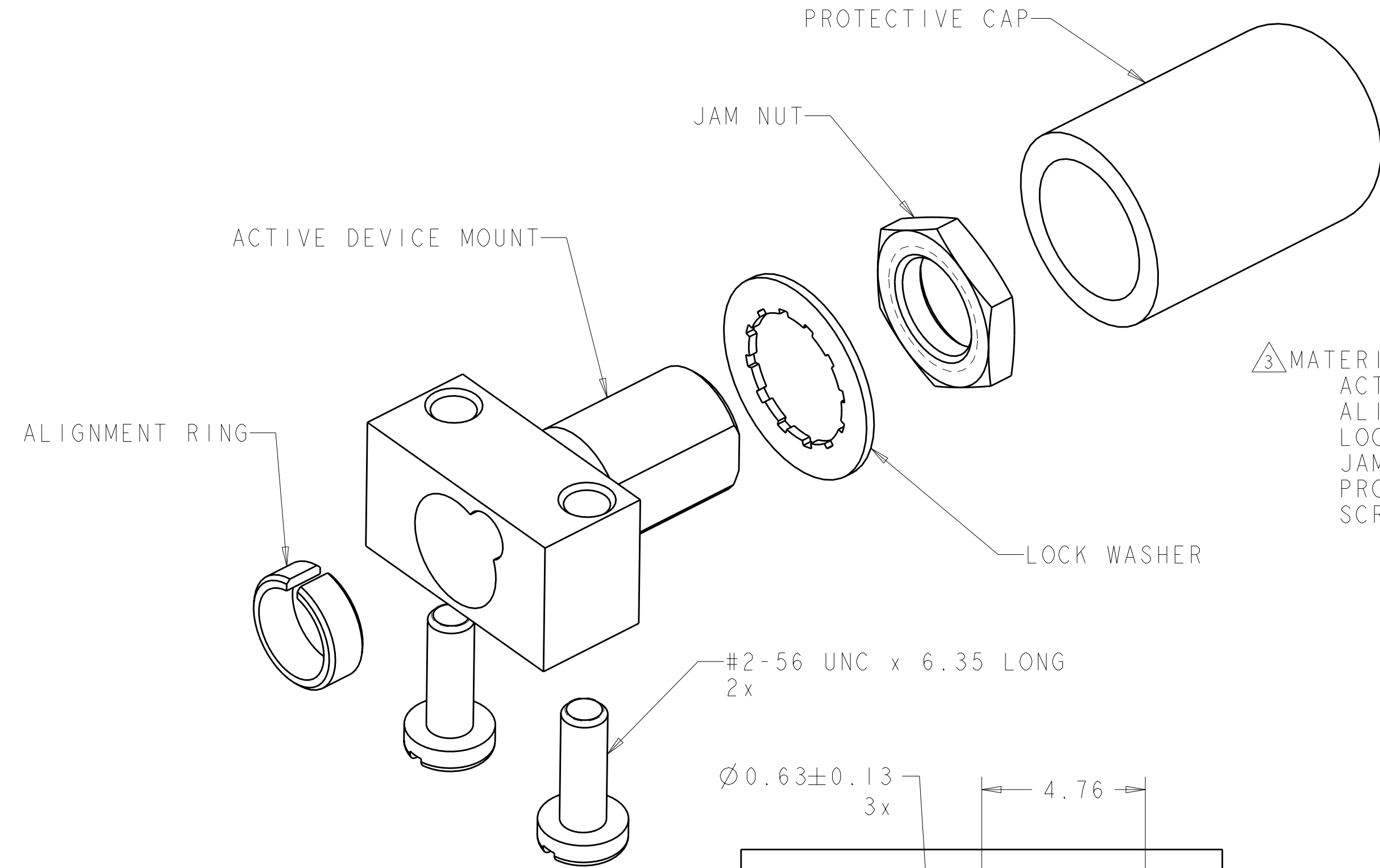


THIS DRAWING IS UNPUBLISHED. RELEASED FOR PUBLICATION 20
 © COPYRIGHT 20 BY TYCO ELECTRONICS CORPORATION. ALL RIGHTS RESERVED.

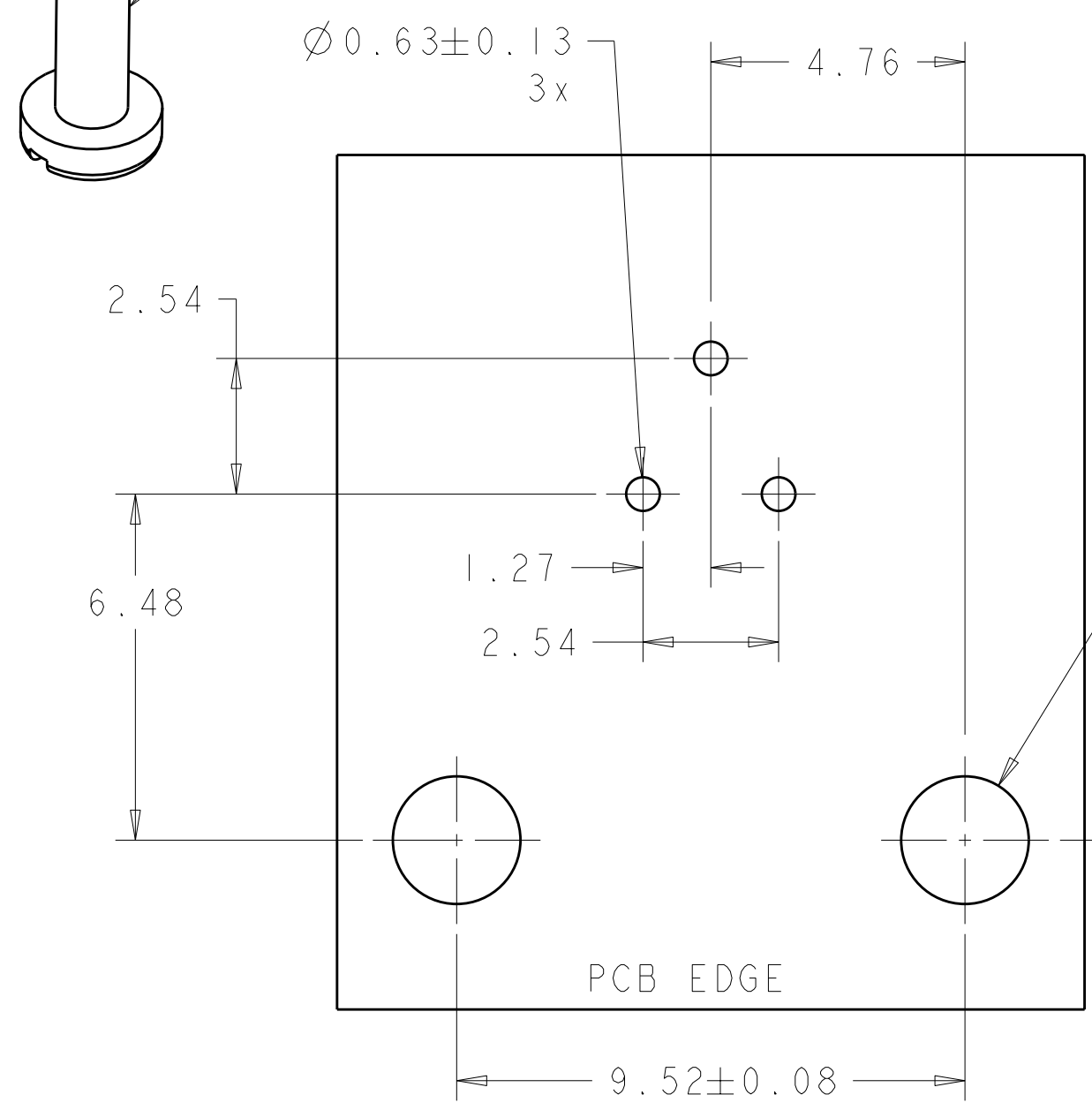
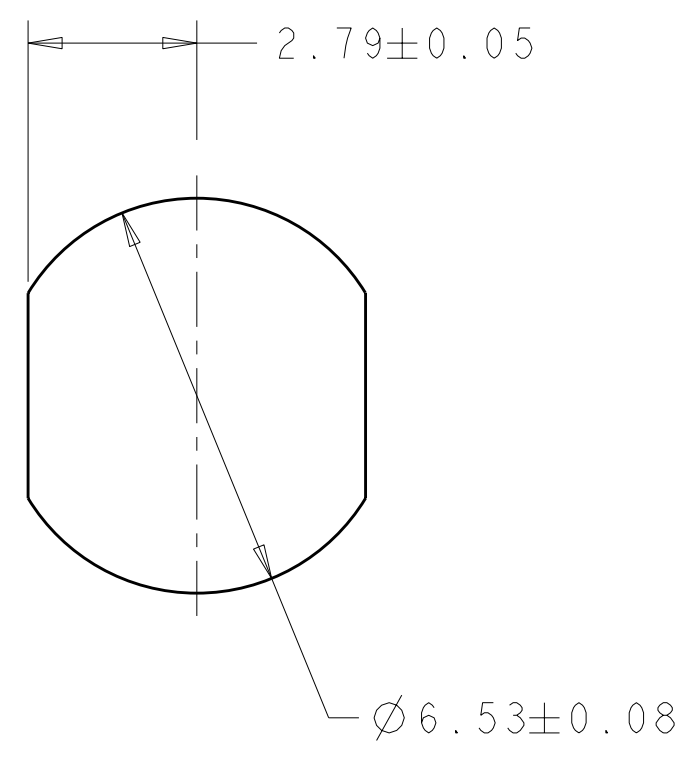
LOC		DIST		REVISIONS			
P	LTR	DESCRIPTION	DATE	DWN	APVD		
	I	NEW PRODUCT RELEASE	28JUN2005	BB	LS		
	A	RELEASED PER ECR-07-004102	16MAR2007	JWD	LS		



1. ACCEPTS ACTIVE DEVICES: TO-18 TYPE, TO-46 TYPE, TO-52 TYPE, AND HONEYWELL LOW COST SWEETSPOT.

2 BULK PACKAGE.

3 MATERIAL:
 ACTIVE DEVICE MOUNT: ZINC
 ALIGNMENT RING: TPE, UL94 V-0 RATED AT QUALIFYING THICKNESS.
 LOCK WASHER: STAINLESS STEEL
 JAM NUT: NICKEL PLATED BRASS
 PROTECTIVE CAP: VINYL, COLOR: RED
 SCREWS: STAINLESS STEEL



SUGGESTED MOUNTING PATTERN
 MAX PANEL THICKNESS 1.57

2	5502136-2
	5502136-1
	PART NUMBER

THIS DRAWING IS A CONTROLLED DOCUMENT FOR TYCO ELECTRONICS CORPORATION. IT IS SUBJECT TO CHANGE AND THE CONTROLLING ENGINEERING ORGANIZATION SHOULD BE CONTACTED FOR THE LATEST REVISION.		DWN B. BRIGGS 28JUN2005	Tyco Electronics Harrisburg, PA 17105-3608	
DIMENSIONS: mm		CHK L. SAUERWEIN 28JUN2005	NAME ACTIVE DEVICE MOUNT KIT, PCB MOUNT, FSMA, OPTIMATE	
TOLERANCES UNLESS OTHERWISE SPECIFIED: 0 PLC ± 1 PLC ± 2 PLC ±0.25 3 PLC ± 4 PLC ± ANGLES ± FINISH ±		APVD S. BUCHTER 28JUN2005	RESTRICTED TO -	
MATERIAL 3 -		PRODUCT SPEC -	SIZE A200779	DRAWING NO 5502136
		APPLICATION SPEC -	SCALE 5:1	SHEET 1 OF 1
		WEIGHT -	REV A	
		CUSTOMER DRAWING		